

FAR HD

Overwrapping machine

WHERE PACKAGING MEETS ECOLOGY

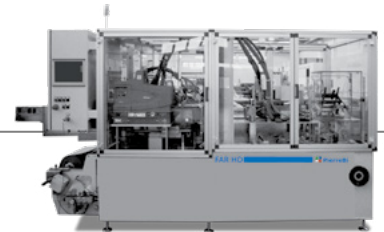
Far HD is a servo driven overwrapping machine, the best solution to collate products in large size bundles satisfying requirements of ecology, package cost-effectiveness and product customization.

Its outstanding feature is wrapping with kraft paper sealed with glue, which ensures good protection, especially against light.

- Eco-sustainability
- High level of product-customization
- Kraft paper overwrapping

FAR HD

Overwrapping machine



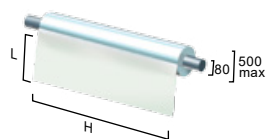
TECHNICAL DATA

Max mechanical speed:

up to 25 bundles/minute

SIZE RANGE

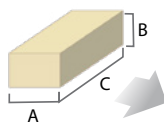
Measures in mm.
Modifications can be made for formats exceeding the standard limit.



L 356+1150
H 230+800

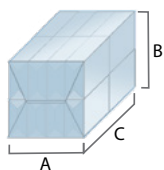
PRODUCT

	A	B	C
min.	50	30	100
max	500	100	300

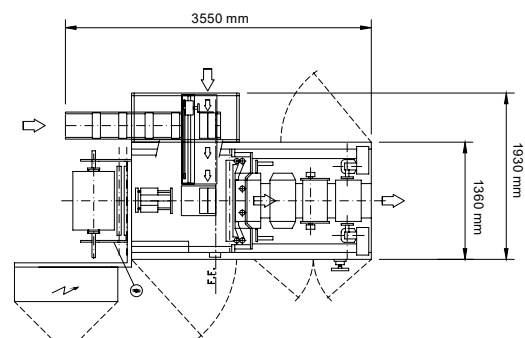
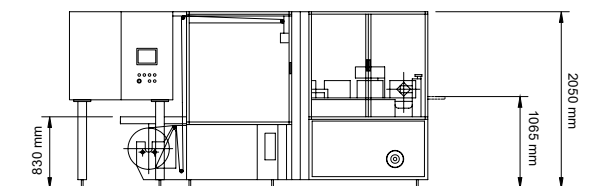


BUNDLE

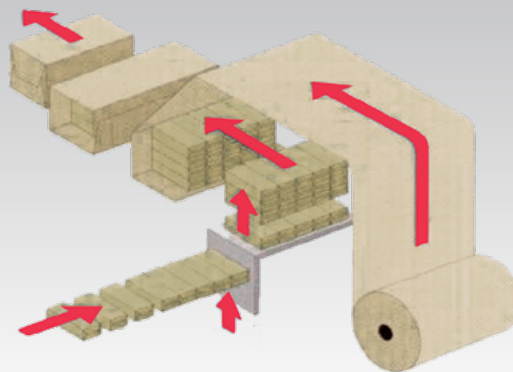
	A	B	C
min.	100	30	200
max	300	200	500



LAYOUT



INFEED



PIERREBI machines comply european standard for work safety (CE mark), and they are supplied with detailed technical informations. Technical data and illustrations are not binding; PIERREBI reserves the right to change the specifications of its machines at any time.

PIERREBI SRL

Via Dell'Artigianato,31 - 48014 Castel Bolognese (RA) - Italy
Tel. +39 0546 656131 - pierrebi@pierrebi.it

