

**SECONDARY
PACKAGING**

SMART S330

Case forming, groups preparation
and loading

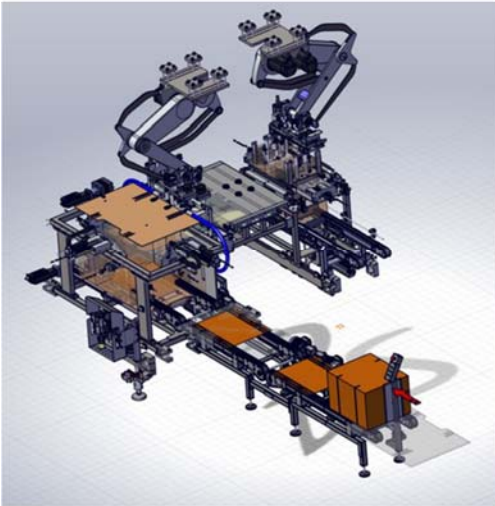


The SMART S330 is a modular solution for the secondary packaging with features able to erase/ease the change-over.

STANDARD FEATURES

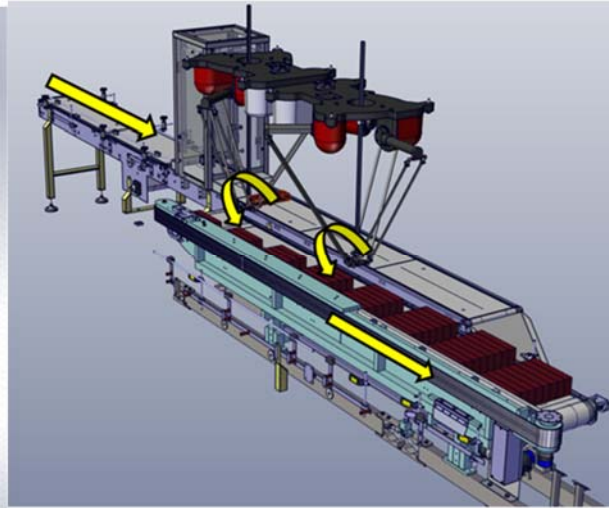
- New ergonomic design of loading blank area
- Completely automatic change-over managed only through a panel
- Setting products one layer flat, on edge, standing
- High modularity
- Integrated electric panel
- Multiple possibilities of forming and closing options
- Robot equipments according to any customer's requests

THE MODULES



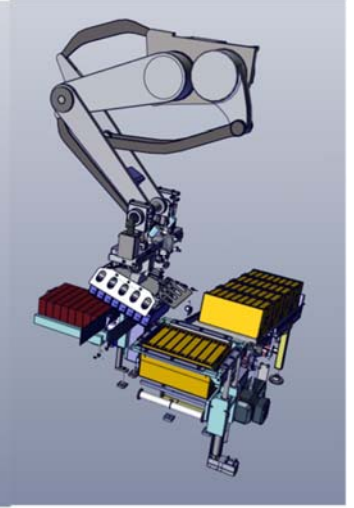
Module 1. CASE FORMING

The first module is for case preparation and forming, with a completely automatic change-over managed through the HMI, avoiding any adjustment for the blank dispenser or any setting of hot melt glue guns for various case sizes. Moreover the blank loading area has a new ergonomic design which does not require the operators to lift the blanks above their waist

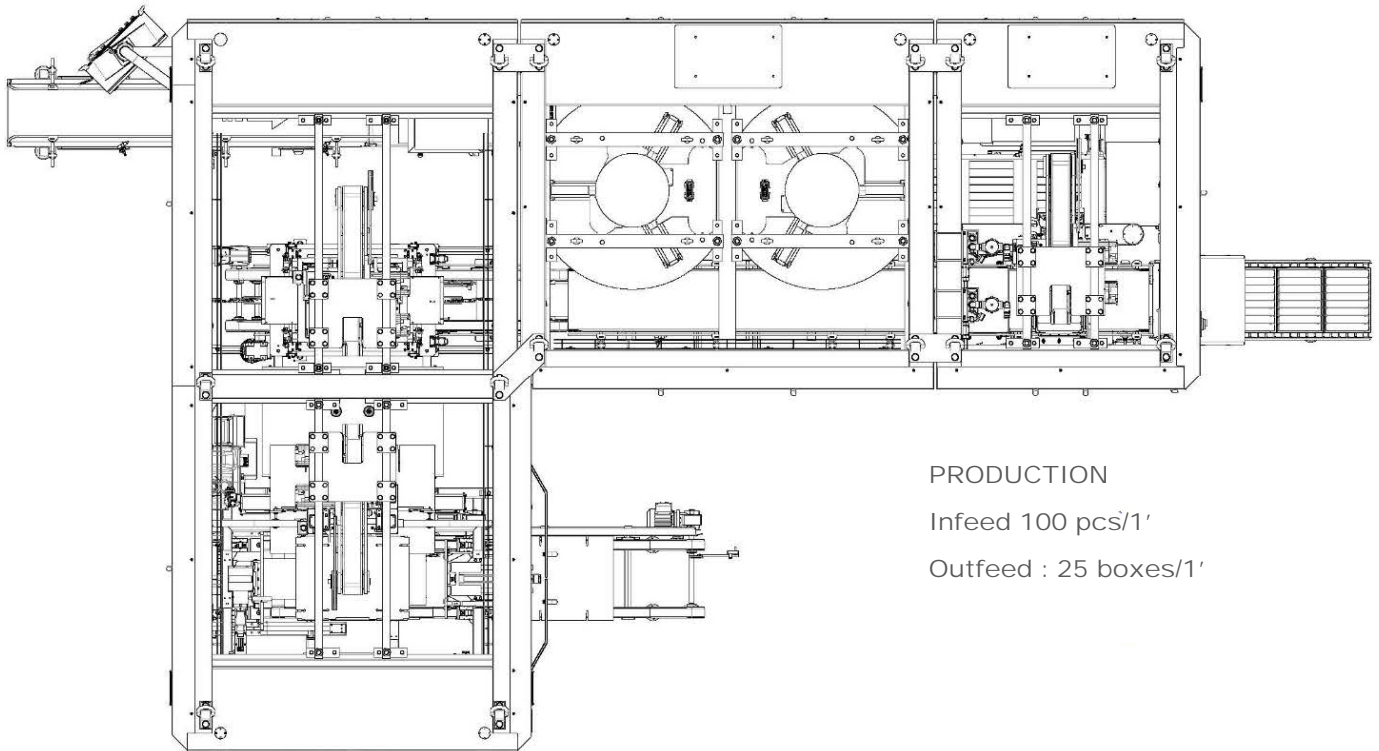


Module 2. GROUPS PREPARATION.

The second module prepares groups, using two pairs of conveyor belts and two CM-OPM Fast Pickers



Module 3. Loading. The final module has a 2 axis robot that picks the prepared product groups and places them into the case. This module also allows completely automatic change-over via the HMI, placing product groupings flat or on-edge, in single or multiple layers.



PRODUCTION

Infeed 100 pcs/1'

Outfeed : 25 boxes/1'